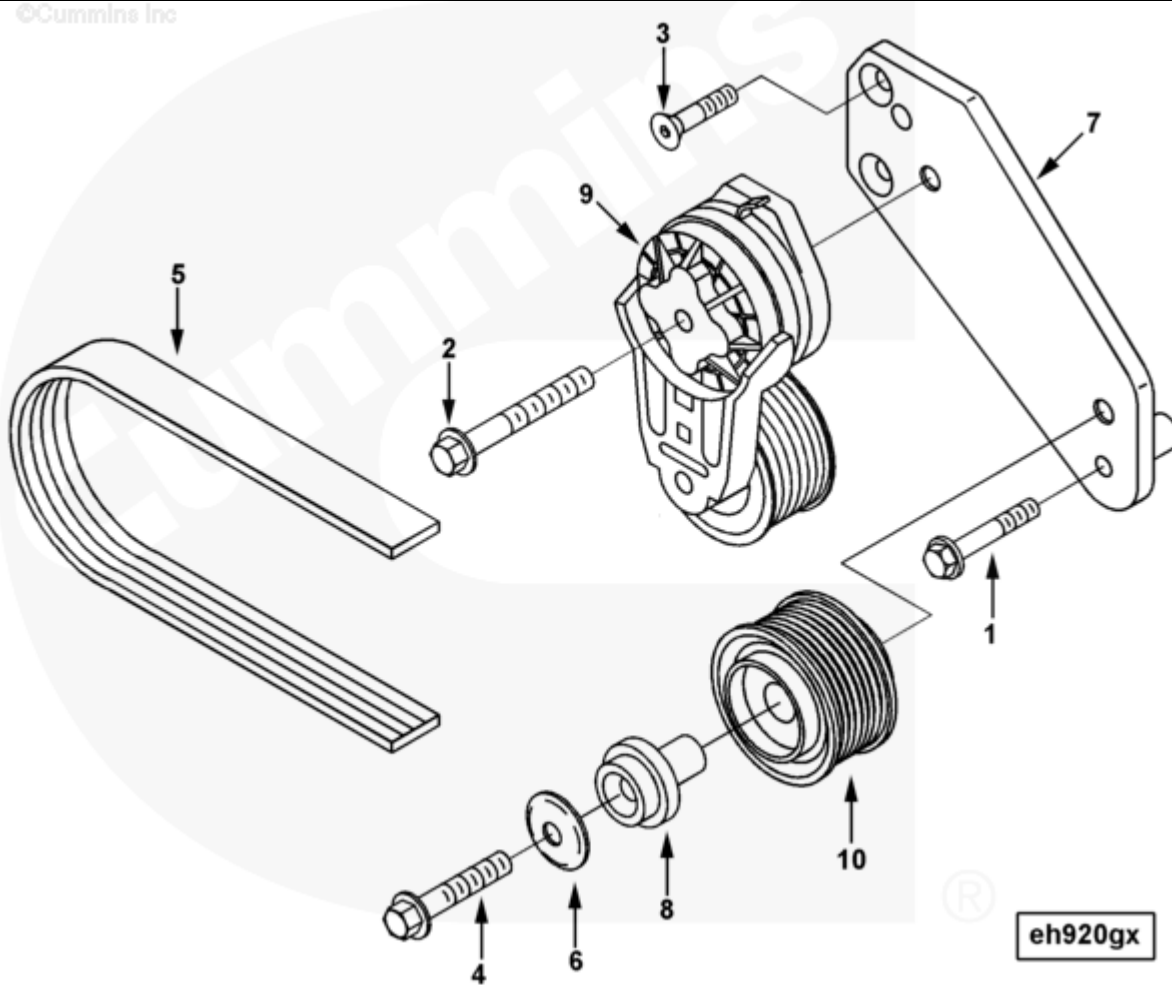




## Parts Catalog - Option Detail

Electronic Parts Catalog - Option Detail				
Option	Group	Graphic	Film Card	Date
EH97007-07	13.02.2	eh920gx	Z	27-SEP-99
<b>Engines</b>	6C8.3, C GAS PLUS CM556, G8.3, G8.3 CM558, GTA8.3 CM558, ISC CM2150, ISC CM554, ISC CM850, ISC8.3 CM2250, ISC8.3 G CM2180 C101, ISL CM2150, ISL CM554, ISL CM850, ISL G CM2180, ISL8.9 CM2150 L110, ISL8.9 CM2880 L112, ISL9 CM2150 SN, ISL9 CM2250, ISL9 CM2350 L101, ISL9 CM2350 L111, ISLE4 CM850, L GAS PLUS CM556, L8.9, L8.9 L121, L8.9G CMOH2.0 L125B, L9 CM2350 L116B, L9 CM2350 L119B, L9 CM2350 L120C, L9 CM2350 L123B, L9.3 L105, L9.5 L117, L9N CM2380 L124B, QSC8.3 CM2250, QSC8.3 CM2880 C102, QSC8.3 CM554, QSC8.3 CM850(CM2850), QSL9 CM2250, QSL9 CM2250 L115, QSL9 CM2350 L102, QSL9 CM2350 L107, QSL9 CM2350 L118, QSL9 CM2350 L122, QSL9 CM554, QSL9 CM850(CM2850), QSL9 G CM558, QSL9 M CM2250 L106, QSL9.3 CM2880 L113			



[SMALL](#) | [MEDIUM](#) | [LARGE](#)

Cart	Ref No	Part Number	Part Description	Required	Remarks
<input type="button" value="View My Cart"/>					
		<a href="#">EH97007-07</a>	Alternator Drive		

					Tensioner Pulley Type:
					Standard
					Water Pump Pulley Diameter
					(mm): 110.74
					Belt Supplier: Cummins
					Belt Tensioner Supplier:
					Cummins
					Damper Pulley Effective
					Diameter (mm): 173.76
					Engine Design Phase:
					Current Product
					Engine Family: C Series
					Alternator
					Manufacturer/Model:
					Bosch N-1 up to 14V/110A
					Bosch N-1 up to 28V/80A
					Delco Remy 20 SI up to
					12V/60A
					Delco Remy 20 SI up to
					24V/60A
					Delco Remy 21 SI12V/130A
					Delco Remy 21 SI up to
					12V/100A
					Delco Remy 21 SI up to
					24V/70A
					Prestolite LNA 9524.
<input type="checkbox"/>	1	<a href="#">3900633</a>	Hexagon Flange Head Cap Screw	1	M8 X 1.25 X 50
<input type="checkbox"/>	2	<a href="#">3282081</a>	Hexagon Flange Head Cap Screw	1	M10 x 1.50 x 75
<input type="checkbox"/>	3	<a href="#">3925186</a>	Flat Head Cap Screw	2	M8 x 1.25 x 25
<input type="checkbox"/>	4	<a href="#">3910901</a>	Hexagon Flange Head Cap Screw	1	M10 x 1.50 x 55

<input type="checkbox"/>	5	<a href="#">3911562</a>	V Ribbed Belt	1	
<input type="checkbox"/>	6	<a href="#">3935013</a>	Dust Shield	1	
<input type="checkbox"/>	7	<a href="#">3925697</a>	Belt Tensioner Bracket	1	
<input type="checkbox"/>	8	<a href="#">3935229</a>	Idler Shaft	1	
<input type="checkbox"/>	9	<a href="#">3936201</a>	Belt Tensioner	1	
<input type="checkbox"/>	10	<a href="#">3935015</a>	Idler Pulley	1	

© 2019 Cummins Inc., Box 3005, Columbus, IN 47202-3005 U.S.A.  
 Terms of Use and Disclaimers | Recommended System Requirements  
 Need Assistance? Please click on the Contact Us button in the top right corner of any page.